

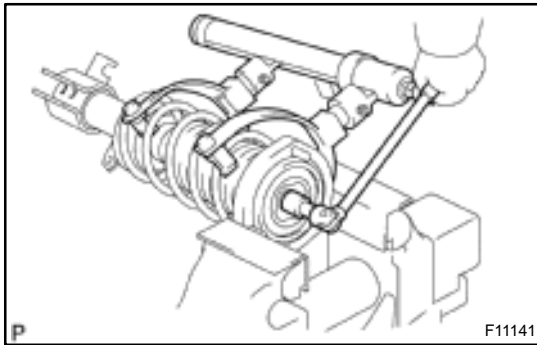
DISASSEMBLY

REMOVE COIL SPRING

- (a) Using SST, compress the coil spring.
SST 09727-30021 (09727-00010, 09727-00021,
09727-00031)

NOTICE:

Do not use an impact wrench. It will damage the SST.



- (b) Hold the suspension support in a vise.
(c) Remove the nut, collar, suspension support, coil spring
and spring bumper.